

ME2P-900-13GM/C-P

9MP CMOS GigE Area Scan Camera



The ME2P-900-13GM/C-P camera is a monochrome/color GigE Vision camera with the Gpixel GMAX2509 CMOS sensor. Four-side mounting holes provide maximum installation flexibility. Thanks to the extremely compact, robust metal housings and locking screw connectors, the MERCURY2 Plus cameras can secure the reliability of cameras deployed in harsh environments.

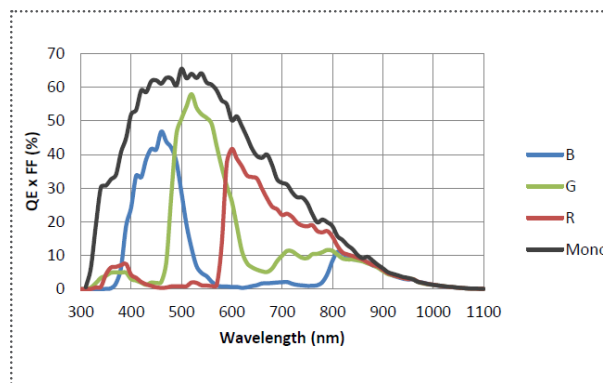
Applications

Suitable for machine vision applications such as industrial inspection, medical, scientific research, education and so on.

Features

- Decimation, Gamma, Digital Shift, Black Level, Static Defect Pixel Correction
- Timer, Counter, LUTs and User Set Control
- Color models support Light source preset, Color Transformation Control and Saturation
- Monochrome models support Noise Reduction
- Remove Parameter Limit to expand the range of exposure, gain, white balance, and so on
- 16KB data storage area for saving algorithm coefficients and parameter configuration

Spectral Response



Specifications

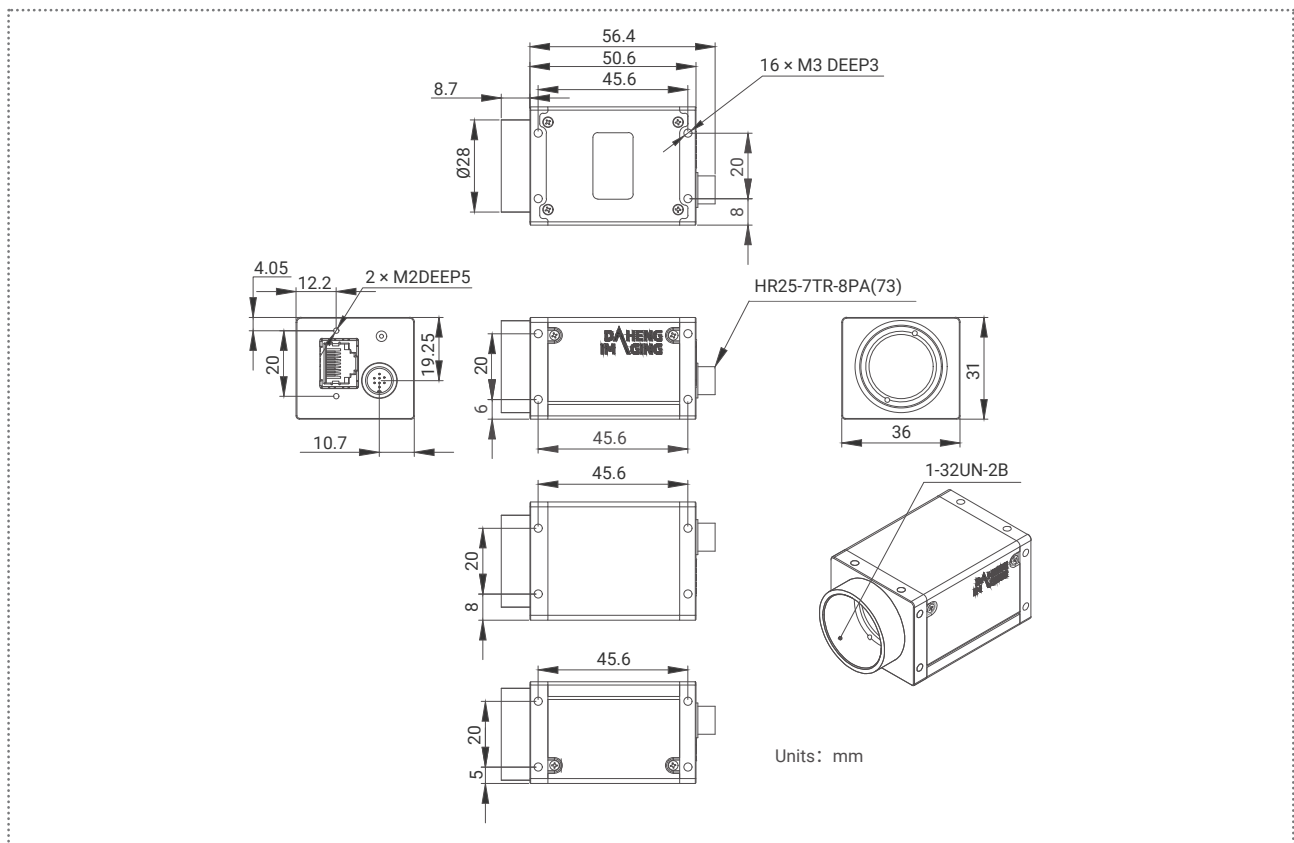
Model	ME2P-900-13GC-P	ME2P-900-13GM-P
Resolution	4200(H) × 2160(V)	
Sensor	Gpixel GMAX2509 Global shutter CMOS	
Sensor Format	2/3"	
Pixel Size	2.5μm × 2.5μm	
Frame Rate	13 fps	
ADC	12 bit	
Pixel Bit Depth	8 bit, 12 bit	
Mono/Color	Color	Mono
Pixel Formats	Bayer GB8 / Bayer GB12	Mono8 / Mono12
SNR	37.15 dB	36.94 dB
Exposure Time	Standard: 14μs~1s, Actual Steps: 1μs	
Gain	0dB~16dB, Default: 0dB, Steps: 0.1dB	
Binning	-	1×1, 1×2, 2×1, 2×2
Decimation	Horizontal FPGA, Vertical Sensor: 1×1, 1×2, 2×1, 2×2	
Synchronization	Hardware trigger, software trigger	
Acquisition Control	Single frame, Continuous, Software trigger, Hardware trigger	
Reverse X/Y	Reverse X/Y	
I/O Interface	1 input and 1 output with opto-isolated, 2 programmable GPIOs	
Data Interface	GigE PoE	
Power Supply	PoE (Power over Ethernet, IEEE802.3af compliant) or 12VDC-10% ~ 24VDC+10% supplied via the camera's 8-pin Hirose connector	
Typical Power	3.74 W @ 12 VDC, 4.09 W @ PoE	
Operating Temp.	0° C ~ +45° C	
Storage Temp.	-20° C ~ +70° C	
Operating Humidity	10% ~ 80%	
Lens Mount	C / CS	
Dimensions	36(W) × 31(H) × 50.6(L) mm (without lens adapter or connectors)	
Weight	75 g	
Software	3rd-party software such as HALCON, VisionPro and LabVIEW	
OS	32bit / 64bit Windows, Linux, Mac OS	
Conformity	CE, RoHS, FCC, ICES, UKCA, GigE Vision®, GenICam®	

I/O Interface



Pin	Definition	Description
1	Line 0+	Opto-isolated input +
2	GND	PWR GND & GPIO GND
3	Line 0-	Opto-isolated input -
4	POWER_IN	Camera external power, +12V DC~+24V DC
5	Line 2	GPIO input/output
6	Line 3	GPIO input/output
7	Line 1-	Opto-isolated output -
8	Line 1+	Opto-isolated output +

Technical Drawing



China Daheng Group, Inc. Beijing Image Vision Technology Branch

12F Daheng Science & Technology Tower, No.3 Suzhou Street, Haidian District, Beijing China, 100080

Tel: +86 10 82828878

E-mail: isales@daheng-imaging.com