

ME2S-2560-15U3M

MERCURY2 Super Series 25.6MP CMOS USB3.0 Area Scan Camera



The ME2S-2560-15U3M camera is a monochrome USB3.0 Vision camera with the CMOS sensor and higher performance FPGA. The ME2S-2560-15U3M camera has opto-isolated I/Os that adapt to specific needs. Four-side mounting holes provide maximum installation flexibility for ME2S-U3. Thanks to the extremely compact (29mm × 29mm), robust metal housings and locking screw connectors, the MERCURY2 Super cameras can secure the reliability of cameras deployed in harsh environments.

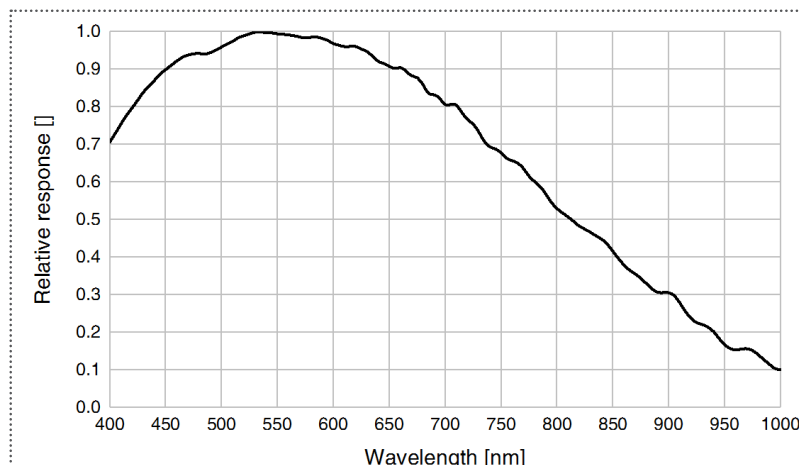
Applications

Suitable for machine vision applications such as industrial inspection, medical, scientific research, education and so on.

Features

- Two exposure time modes: Standard / UltraShort
- Acquisition Burst Mode
- Support Gamma, Binning, Digital Shift, Black Level and Flat Field Correction
- Support Sharpness, Noise Reduction, Timer and Counter
- Programmable LUTs and User Set Control
- Support Remove Parameter Limit to expand the range of exposure, gain, white balance, and so on
- User Data Area for saving algorithm coefficients and parameter configuration

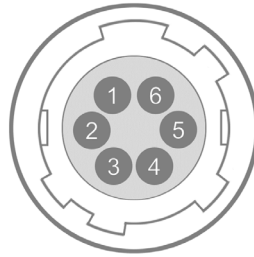
Spectral Response



Specifications

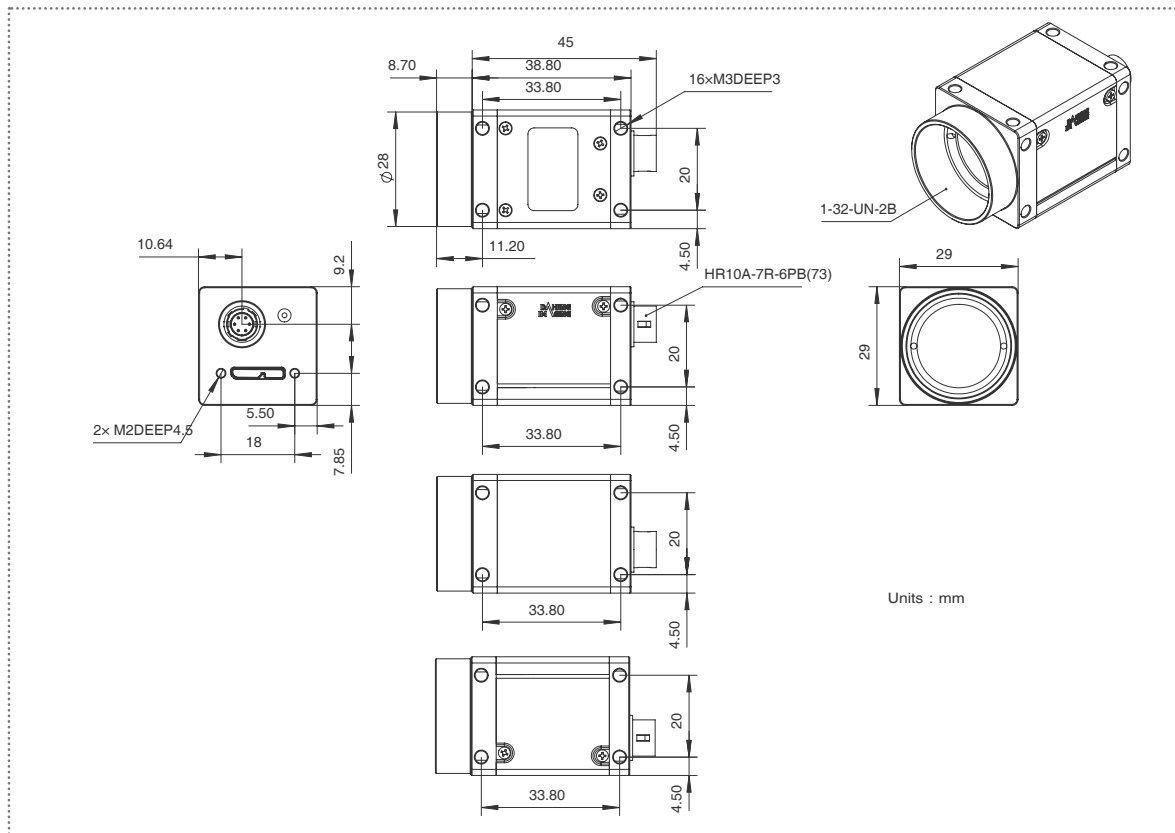
Model	ME2S-2560-15U3M
Resolution	5064(H) × 5064(V)
Sensor	Global shutter CMOS
Sensor Format	1.1"
Pixel Size	2.5μm × 2.5μm
Frame Rate	15.4 fps (Max. frame rate: 21.95fps @ Acquisition Burst Mode)
ADC	12 bit
Pixel Bit Depth	8 bit, 10 bit, 12 bit
Mono/Color	Mono
Pixel Formats	Mono8 / Mono10 / Mono12
SNR	41.03 dB
Exposure Time	UltraShort: 1μs ~ 2.4μs, Actual Steps: 1μs; Standard: 3μs ~ 1s, Actual Steps: 1 row period (decimation enabled/3μs~20μs), 1μs (>20μs)
Gain	0dB ~ 24dB; Default: 0dB, Steps: 0.1dB
Binning	1×1, 1×2, 1×4, 2×1, 2×2, 2×4, 4×1, 4×2, 4×4
Decimation	-
Synchronization	Hardware trigger, software trigger
Acquisition Mode	Single frame, Continuous, Software trigger, Hardware trigger
Reverse X/Y	Reverse X/Y
I/O Interface	1 input and 1 output with opto-isolated, 1 programmable GPIO
Data Interface	USB3.0
Power Supply	12VDC-10%~24VDC+10% supplied via the camera's 6-pin Hirose connector (recommend) or power through USB3.0 interface
Typical Power	3.90 W @ 5 VDC
Operating Temp.	0°C ~ +45°C
Storage Temp.	-20°C ~ +70°C
Operating Humidity	10% ~ 80%
Lens Mount	C
Dimensions	29(W) × 29(H) × 38.8(L) mm (without lens adapter or connectors)
Weight	60 g
Software	3rd-party software such as HALCON, MERLIC and LabVIEW
OS	32bit / 64bit Windows, Linux, Android, ARMv7, ARMv8
Conformity	CE, RoHS, FCC, ICES, UKCA, USB3.0 Vision®, GenICam®

I/O Interface



Pin	Definition	Description
1	POWER_IN	Camera external power, +12V DC(-10%)~+24V DC(+10%)
2	Line0+	Opto-isolated input +
3	Line2	GPIO input/output
4	Line1+	Opto-isolated output +
5	Line0-/Line1-	Line0-: Opto-isolated input - Line1-: Opto-isolated output -
6	GND	PWR GND & GPIO GND

Technical Drawing



China Daheng Group, Inc. Beijing Image Vision Technology Branch

12F Daheng Science & Technology Tower, No.3 Suzhou Street, Haidian District, Beijing China, 100080

Tel: +86 10 82828878

E-mail: isales@daheng-imaging.com