

MERCURY SERIES

MER-030-120UC



GEN*i*CAM



- Ultra small, light and robust
- 1/4" Global Shutter CCD sensor
- Compatible with GeniCam™
- USB2.0 Interface
- 0.3 Megapixels
- Very attractive price

The MERCURY USB2.0 series(MER-U) camera is DAHENG IMAGING's mature area scan industrial digital camera, featuring outstanding performance, compact design and extremely low noise.

The MER-030-120UC camera is a color USB camera with the Sony ICX618 CCD sensor. Thanks to the extremely compact (29mm × 29mm × 29mm), robust metal housings and locking screw connectors. The MERCURY cameras can secure the reliability of cameras deployed in harsh environments.

The MER-030-120UC camera is powered over the USB interface. The MER-030-120UC camera has opto-isolated I/Os. The I/Os give MER-U maximum flexibility to adapt to specific needs. The camera has an outstanding price/performance ratio.

The MERCURY USB2.0 Series camera is especially suitable for machine vision applications such as surface inspection, alignment, defect detection, measurement, OCR , bar code and data code identification and so on. They are also suitable for desktop applications, such as microscope and documents imaging.

Features

- Programmable ROI (region of interest), increased frame rate with partial scan
- Gain, exposure and white balance programmable
- Support auto gain, auto exposure and auto white balance
- Three acquisition controls: Continuous acquisition/Software trigger acquisition/ External trigger acquisition
- Flash sync for firing external lights at precisely the moment when exposure is performed
- Programmable acquisition speed level, optimize multi-cameras work simultaneity
- Built-in encryption circuitry
- Robust full metal housing and optional lockable devices
- Hot plugging available
- Compatible with GeniCam™ and GigE Vision®, can be used in a wide range of 3rd-party software such as HALCON, MERLIC and LabVIEW directly
- Optimized software package for 32/64bit Windows, and support Linux
- Multiple samples and easy-to-integrate SDK for various programming tools
- Regulations: CE , RoHS, GeniCam

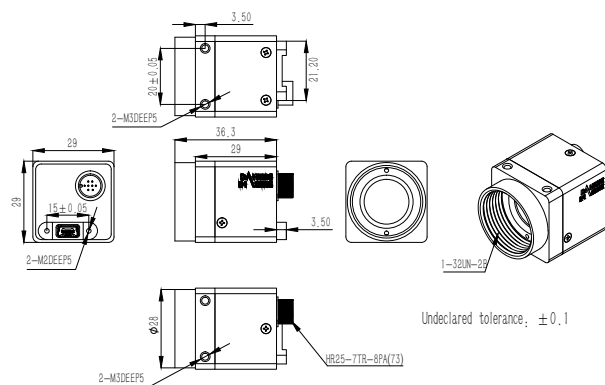
Performance Specifications

Model	MER-030-120UC
Interface	USB2.0
Resolution	656(H) × 492(V)
Frame rate	120 fps
Sensor	1/4", Global Shutter Sony ICX618 CCD
Pixel size	5.6 μm × 5.6 μm
Pixel Bit Depth	8bit, 12bit
Spectrum	Color
Exposure time	20μs~1s

Optical Specifications

Lens mount	C-Mount (standard), CS-Mount (optional)
------------	---

Technical Drawing



Units: mm

Electrical Specifications

Power requirement	5 VDC via USB cable
I/Os	1 input / 1 output
Data interface	Mini B
Power consumption	<1.2W @5V DC

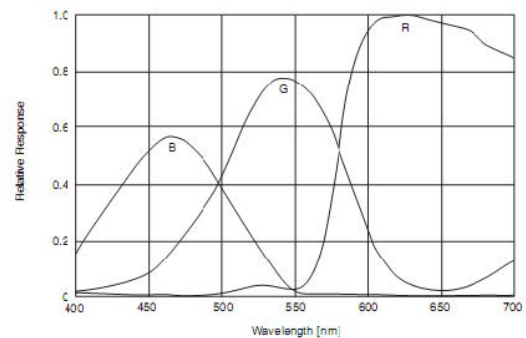
Environmental Specifications

Operating temp.	0°C ~ +45°C
Storage temp.	-20°C ~ +70°C
Operating humidity	10% ~ 80%

Mechanical Specifications

Weight	42g
Dimensions	29(W)x29(H)x29(L)mm, w/o connectors

Spectral Response



MER-030-120UC

China Daheng Group, Inc. Beijing Image Vision Technology Branch

12F Daheng Science & Technology Tower, No.3 Suzhou Street, Haidian District,

Beijing China, 100080

Tel: +86 10 82828878

E-mail: isales@daheng-imaging.com

For more information please visit : www.daheng-imaging.com/en

Specifications are subject to change without prior notice.

Copyright © 2021 China Daheng Group, Inc. Beijing Image Vision Technology Branch. All rights reserved.

October 14, 2021