

# MERCURY SERIES

## MER-125-30UC-L



GEN*i*CAM



- Ultra small, light and robust
- 1/3" Global CCD sensor
- Compatible with GenICam™
- USB2.0 Interface
- 1.25 Megapixels
- Very attractive price

The MERCURY USB2.0 series(MER-U-L) camera is DAHENG IMAGING's mature area scan industrial digital camera, featuring outstanding performance, compact design and extremely low noise.

The MER-125-30UC-L camera is a monochrome/color USB camera with the Sony ICX445 CCD sensor. Thanks to the extremely compact (29mm × 29mm × 29mm), robust metal housings and locking screw connectors. The MERCURY cameras can secure the reliability of cameras deployed in harsh environments.

The MER-125-30UC-L camera is powered over the USB interface. Compared to the MER-125-30UC, the MER-125-30UC-L has no I/O interfaces, so it is more light and handy. The camera has an outstanding price/performance ratio.

The MERCURY USB2.0 Series camera is especially suitable for machine vision applications such as surface inspection, alignment, defect detection, measurement, OCR, bar code and data code identification and so on. They are also suitable for desktop applications, such as microscope and documents imaging.

### Features

- Programmable ROI (region of interest), increased frame rate with partial scan
- Gain, exposure and white balance programmable
- Support auto gain, auto exposure and auto white balance
- Two acquisition controls: Continuous acquisition/Software trigger acquisition
- Programmable acquisition speed level, optimize multi-cameras work simultaneity
- Built-in encryption circuitry
- Robust full metal housing and optional lockable devices
- Hot plugging available
- Compatible with GenICam™ and GigE Vision®, can be used in a wide range of 3rd-party software such as HALCON, MERLIC and LabVIEW directly
- Optimized software package for 32/64bit Windows, and support Linux
- Multiple samples and easy-to-integrate SDK for various programming tools
- Regulations: CE, RoHS, GenICam

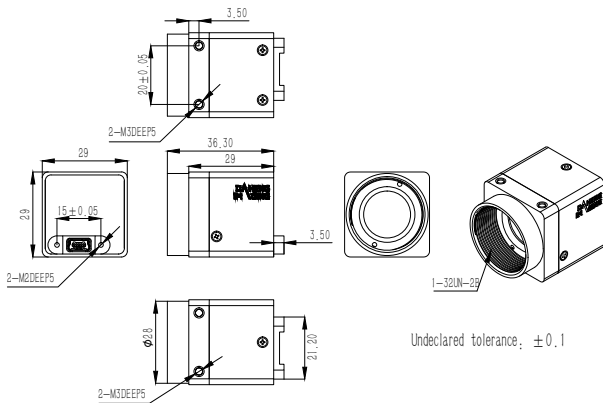
## Performance Specifications

Model	MER-125-30UC-L
Interface	USB2.0
Resolution	1292(H) × 964(V)
Frame rate	30 fps
Sensor	1/3", Global Shutter Sony ICX445 CCD
Pixel size	3.75 μm × 3.75 μm
Pixel Bit Depth	8bit, 12bit
Spectrum	Color
Exposure time	20μs~1s

## Optical Specifications

Lens mount	C-Mount (standard), CS-Mount (optional)
------------	---

## Technical Drawing



Units: mm

## Electrical Specifications

Power requirement	5 VDC via USB cable
I/Os	-
Data interface	Mini B
Power consumption	<1.2W @5V DC

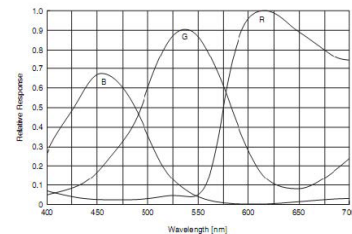
## Environmental Specifications

Operating temp.	0°C ~ +45°C
Storage temp.	-20°C ~ +70°C
Operating humidity	10% ~ 80%

## Mechanical Specifications

Weight	40g
Dimensions	29(W)x29(H)x29(L)mm, w/o connectors

## Spectral Response



MER-125-30UC-L

China Daheng Group, Inc. Beijing Image Vision Technology Branch

12F Daheng Science & Technology Tower, No.3 Suzhou Street, Haidian District,

Beijing China, 100080

Tel: +86 10 82828878

E-mail: isales@daheng-imaging.com

For more information please visit : [www.daheng-imaging.com/en](http://www.daheng-imaging.com/en)

Specifications are subject to change without prior notice.

Copyright © 2021 China Daheng Group, Inc. Beijing Image Vision Technology Branch. All rights reserved.

October 14, 2021