

# MERCURY SERIES

## MER-231-41U3M/C-L



- Ultra small, light and robust
- 1/1.2" Global Shutter CMOS sensor
- Compatible with GenICam™ and USB3 Vision®
- USB3.0 Interface
- 2.3 Megapixels
- 41 fps@2.3 MegaPixels
- Very attractive price

The MERCURY USB3.0 series (MER-U3-L) camera is DAHENG IMAGING's mature area scan industrial digital camera, featuring outstanding performance, compact design and extremely low noise.

The MER-231-41U3M/C-L camera is a monochrome/color USB3 Vision camera with the Sony IMX249 CMOS sensor. Thanks to the extremely compact (29mm × 29mm × 29mm), robust metal housings and locking screw connectors, the MERCURY cameras can secure the reliability of cameras deployed in harsh environments.

The MER-231-41U3M/C-L camera is powered over the USB interface. Compared to the MER-231-41U3M/C, the MER-231-41U3M/C-L has no I/O interfaces, so it is more light and handy. The camera has an outstanding price/performance ratio.

The MERCURY family cameras are especially suitable for machine vision applications such as industrial inspection, medical, scientific research, education, security and so on.

### Features

- USB3.0 interface with 10-bit or 8-bit Mono/Bayer output
- Programmable ROI, increased frame rate with partial scan
- Gain, exposure and white balance programmable (white balance only for color models)
- Support auto gain, auto exposure and auto white balance (auto white balance only for color models)
- Two acquisition controls: Continuous acquisition/ Software trigger acquisition
- Flash sync for firing external lights at precisely the moment when exposure is performed
- Adjustable URB
- Software reset function
- Storable user sets
- Robust full metal housing and optional lockable devices
- Hot plugging available
- Compatible with GenICam™ and USB3 Vision®, support a variety of 3rd-party software such as HALCON, MERLIC and LabVIEW
- Optimized software package for 32/64bit Windows, and support Linux, Android, ARMv7 and ARMv8
- Multiple samples and easy-to-integrate SDKs for various programming tools
- Regulations: CE, RoHS, FCC, GenICam, USB3 Vision

### Performance Specifications

Model	MER-231-41U3M/C-L
Interface	USB3.0
Resolution	1920(H) × 1200(V)
Frame rate	41 fps
Sensor	1/1.2", Global Shutter Sony IMX249 CMOS
Pixel size	5.86 μm × 5.86 μm
Pixel Bit Depth	8bit, 10bit
Spectrum	Monochrome / Color
Exposure time	20μs ~ 1s

### Optical Specifications

Lens mount	C-Mount (standard), CS-Mount (optional)
------------	---

### Electrical Specifications

Power requirement	5 VDC via USB cable
I/Os	-
Data interface	Micro B
Power consumption	<2.7W @5V DC

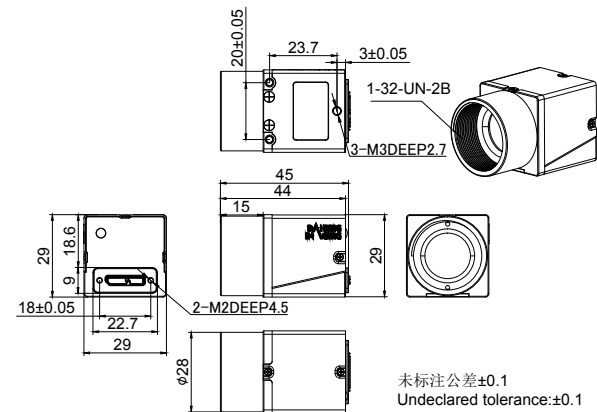
### Environmental Specifications

Operating temp.	0°C ~ +45°C
Storage temp.	-20°C ~ +70°C
Operating humidity	10% ~ 80%

### Mechanical Specifications

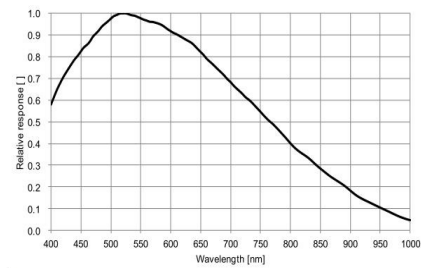
Weight	53g
Dimensions	29(W)×29(H)×29(L)mm, w/o connectors

### Technical Drawing

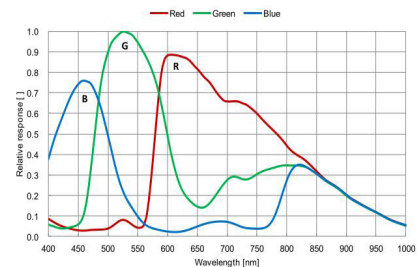


Units: mm

### Spectral Response



MER-231-41U3M-L



MER-231-41U3C-L

China Daheng Group, Inc. Beijing Image Vision Technology Branch

12F Daheng Science & Technology Tower, No.3 Suzhou Street, Haidian District,

Beijing China, 100080

Tel: +86 10 82828878

E-mail: isales@daheng-imaging.com

For more information please visit : [www.daheng-imaging.com/en](http://www.daheng-imaging.com/en)

Specifications are subject to change without prior notice.

Copyright © 2021 China Daheng Group, Inc. Beijing Image Vision Technology Branch. All rights reserved.

October 14, 2021