

# MER3-2560-11G3M-P

## MERCURY3 Series 25MP CMOS 2.5GigE Area Scan Camera



The MER3-2560-11G3M-P camera is a monochrome GigE Vision camera with the CMOS sensor and high performance FPGA. The MER3-2560-11G3M-P camera is capable of 2.5Gbit/s maximum transfer data rate, and has opto-isolated I/Os that adapt to specific needs. Four-side mounting holes provide maximum installation flexibility for camera. Thanks to the extremely compact (29mm × 29mm), robust metal housings and locking screw connectors, the MERCURY3 cameras can secure the reliability of cameras deployed in harsh environments.

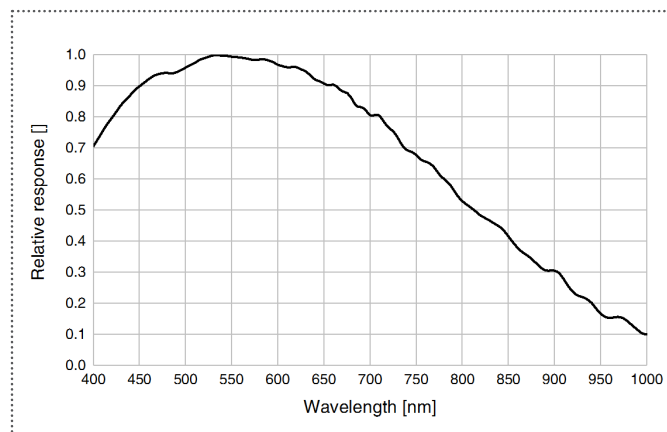
### Applications

Suitable for machine vision applications such as Industrial inspection, rail transport, scientific research, 3D reconstruction and so on.

### Features

- Two trigger types: FrameStart / FrameBurstStart
- Gamma, Digital Shift, Black Level and Burst Acquisition
- Timer, Counter, LUTs and User Set Control
- Support Remove Parameter Limit to expand the range of exposure, gain and so on
- 512K data storage area for saving algorithm coefficients and parameter configuration

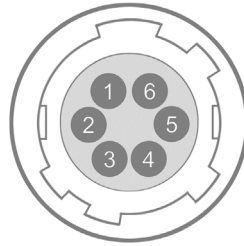
### Spectral Response



## Specifications

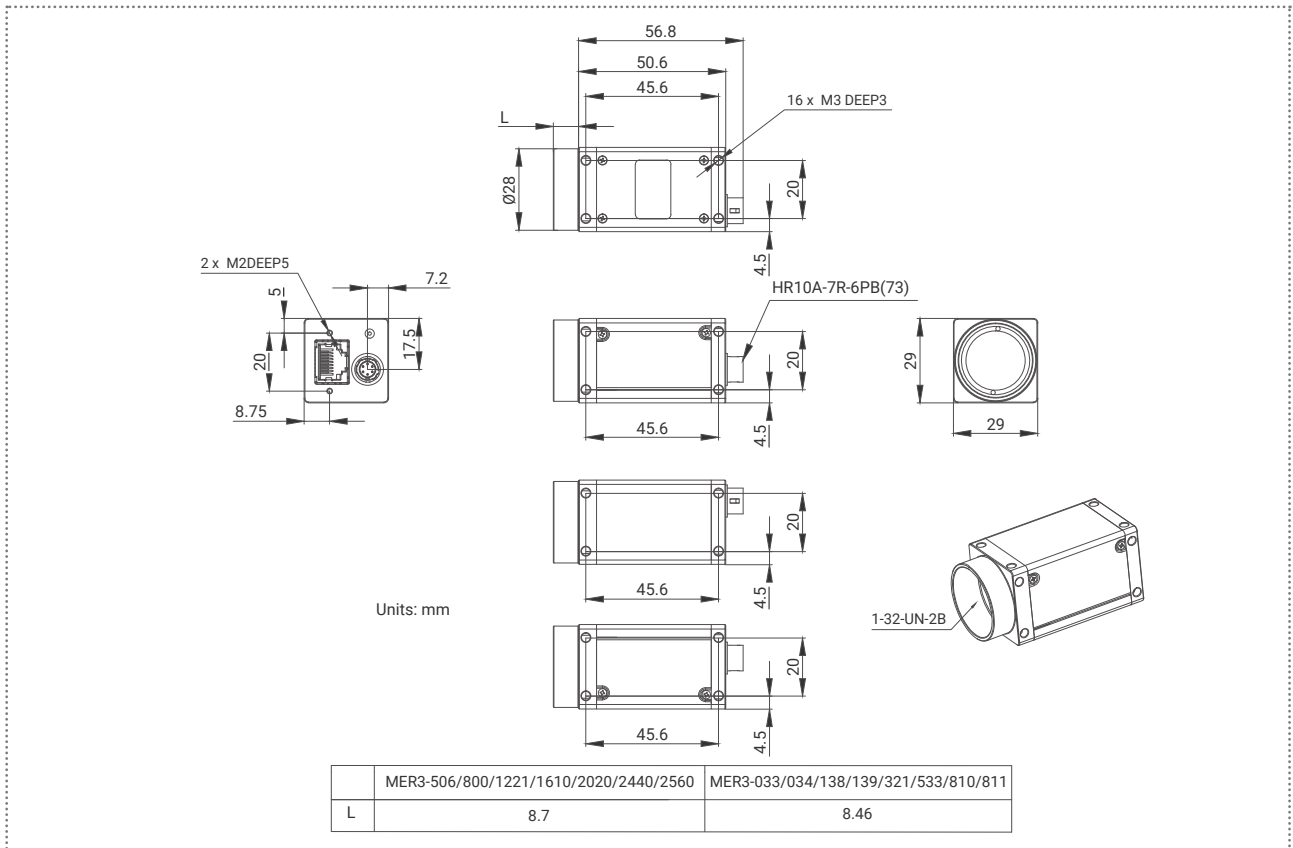
Model	MER3-2560-11G3M-P
Resolution	5064(H) × 5064(V)
Sensor	Global shutter CMOS
Sensor Format	1.1"
Pixel Size	2.5μm × 2.5μm
Frame Rate	11fps (Under acquisition burst high speed mode, acquisition frame rate up to 18.34fps)
ADC	12 bit
Pixel Bit Depth	8 bit, 12 bit
Mono/Color	Mono
Pixel Formats	Mono8 / Mono12
SNR	40.97 dB
Exposure Time	UltraShort: 1μs~2.4μs, Actual Steps: 0.1μs Standard: 3μs~20μs, Actual Steps: 1μs; 21μs~1s, Actual Steps: 1 row period
Gain	0dB ~ 16dB, Default: 0dB, Steps: 0.1dB
Binning	-
Decimation	-
Synchronization	Hardware trigger, software trigger
Acquisition Mode	Single frame, Continuous, Software trigger, Hardware trigger
Reverse X/Y	Reverse X/Y
I/O Interface	1 input with opto-isolated, 2 programmable GPIOs
Data Interface	2.5GigE
Power Supply	PoE (Power over Ethernet, IEEE802.3af compliant) or 12VDC-10% ~ 24VDC+10%
Typical Power	5.4W @ 12V / PoE
Operating Temp.	0°C ~ +50°C
Storage Temp.	-20°C ~ +70°C
Operating Humidity	10% ~ 80%
Lens Mount	C
Dimensions	29(W) × 29(H) × 50.6(L) mm (without lens adapter or connectors)
Weight	69 g
Software	3rd-party software such as HALCON, VisionPro and LabVIEW
OS	32bit / 64bit Windows, Linux, Mac OS
Conformity	CE, RoHS, FCC, ICES, UKCA, GigE Vision®, GenICam®

I/O Interface



Pin	Definition	Description
1	POWER_IN	Camera external power, +12V DC~+24V DC
2	Line0+	Opto-isolated input +
3	Line2	GPIO0 input/output
4	Line3	GPIO1 input/output
5	Line0-	Opto-isolated input -
6	GND	PWR GND & GPIO GND

Technical Drawing



China Daheng Group, Inc. Beijing Image Vision Technology Branch

12F Daheng Science & Technology Tower, No.3 Suzhou Street, Haidian District, Beijing China, 100080

Tel: +86 10 82828878

E-mail: isales@daheng-imaging.com